



VITREOUS CHINA

TOILET  
21-512

LAVATORIES

TOILETS

BIDETS / URINALS

CAST IRON

# VIPER™ Elongated Toilet

12" Rough-in



## Features:

- Low Consumption 1.6 gpf (6.0 Lpf)
- Elongated Bowl
- Slim Line Tank
- Fluidmaster® Fill Valve HP-2 Technology
- Optional Right-handed Trip Lever Available
- Glazed Trapway
- Reverse Trap
- Dual Feed Jet
- Front Tank Lever
- Various Colors
- 2 Bolt Caps

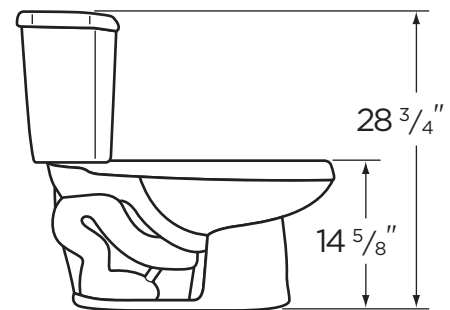
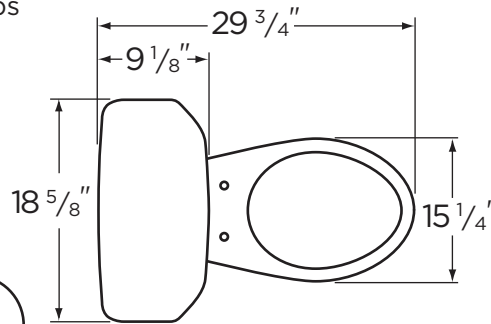


## Dimensions:

- Height.....28 5/8"
- Width.....18 5/8"
- Depth.....29 3/4"
- Rough-in.....12"
- Water Surface from Rim ....5 1/4"
- Trapway (min).....2"
- Water Surface ..... 10 1/2" x 8 3/4"
- Water Seal.....2 1/8"
- Shipping Weight .....88 lbs

**Specifications:** Bowl—#21-562 Elongated Bowl  
Seat not included

Tank—#28-590



THIS FIXTURE QUALIFIES ACCORDING TO ASME TEST PROCEDURES AS A LOW CONSUMPTION WATER CLOSET WITH AN AVERAGE CONSUMPTION OF 1.6 GAL. OR LESS.



www.gerberonline.com

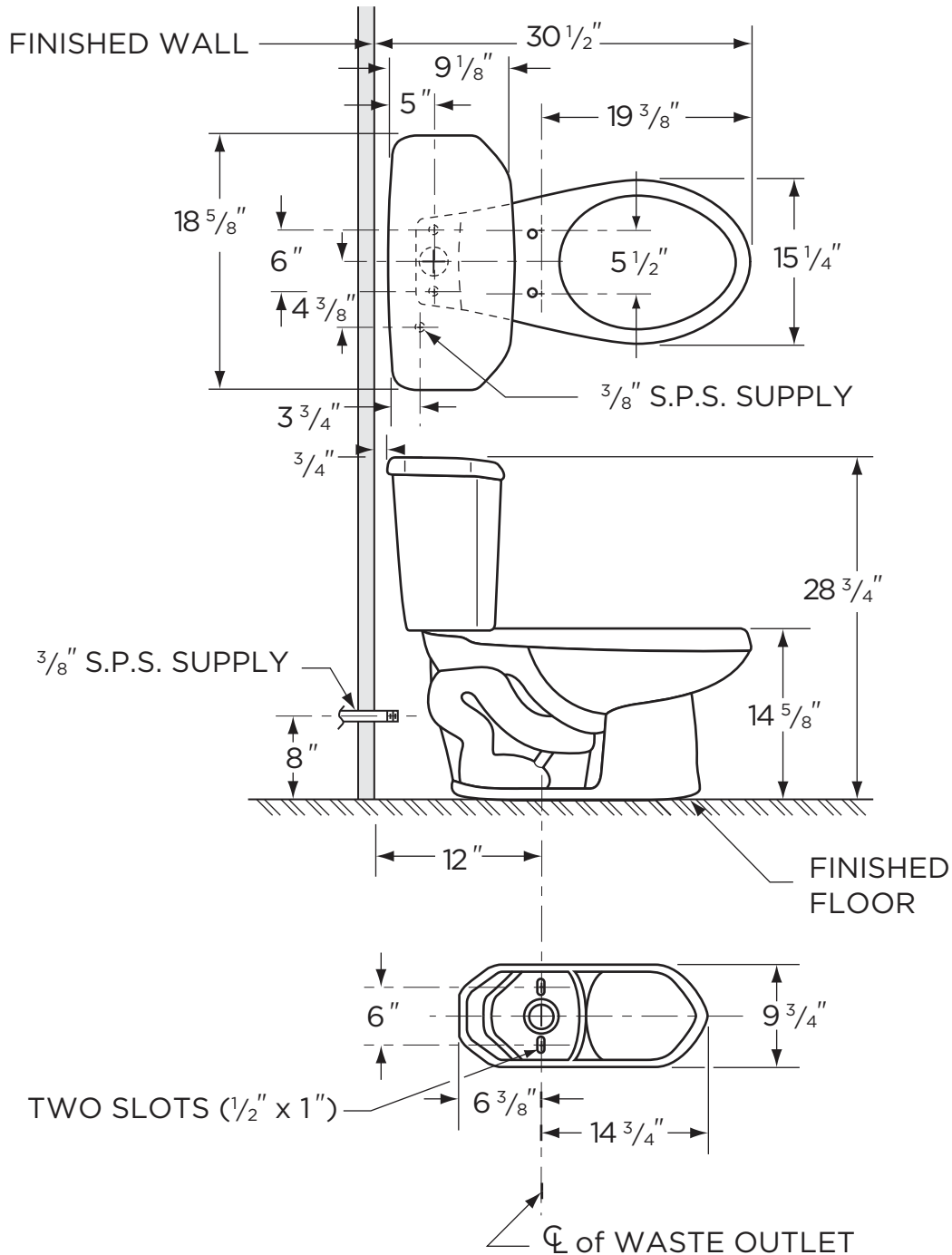
Job Name	
Date	
Model Specified	
Quantity	
Customer	
Contractor	
Architect/engineer	



# 1.6 gpf (6 Lpf) LOW CONSUMPTION VIPER™ TOILET

21-512

Elongated, 12" Rough-in  
(Bowl 21-562 with Tank 28-590)



NOTES:  
All dimensions are in inches.

Illustrations may not be drawn  
to scale.

### IMPORTANT:

Dimensions of fixtures are nominal and may vary within the range of tolerances established by ASME Standard A 112.19.2.

THIS FIXTURE QUALIFIES ACCORDING TO ASME TEST PROCEDURES AS A LOW CONSUMPTION WATER CLOSET WITH AN AVERAGE CONSUMPTION OF 1.6 gpf (6 Lpf) OR LESS.